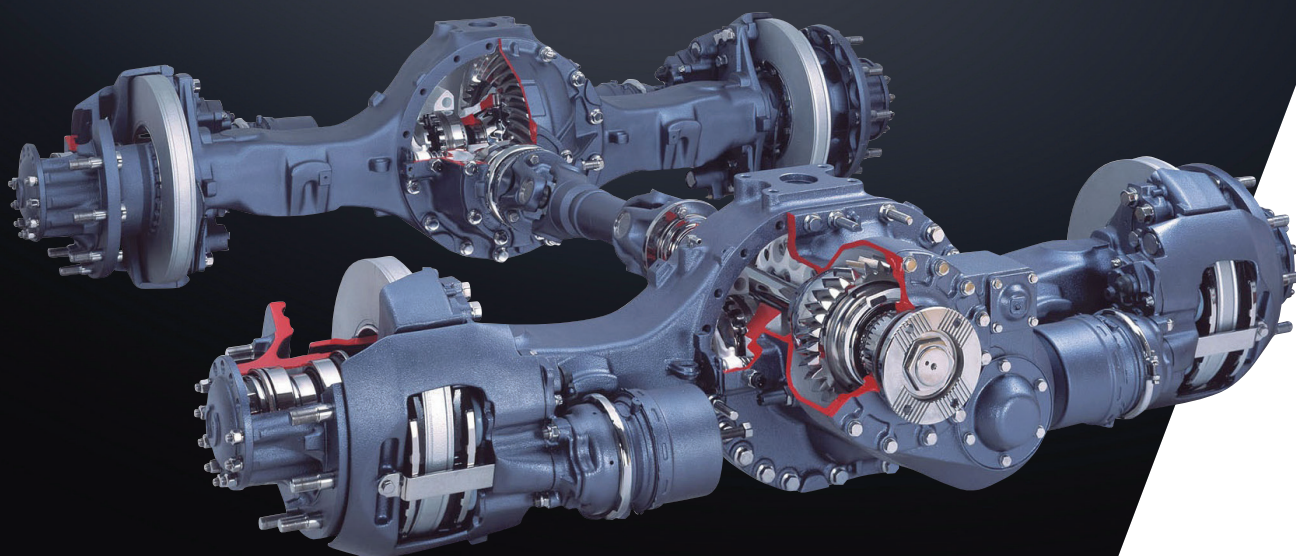


MT155 DRIVE AXLE

PARTS BOOK



Meritor

**FOR
A WORLD
THAT'S
ALWAYS ON™**

IMPORTANT INFORMATION

AFTERMARKET PARTS WARRANTY

We warrant all new parts for one year from date of shipment to the buyer against defective material or workmanship (but not against damage caused by accident, abuse or improper installation, maintenance or repair) when such parts are used on vehicles the specifications of which have been approved by our Engineering Department.

As the exclusive remedy under this warranty, we will, at our option, repair or replace such parts free of charge, or take back the nonconforming parts and refund the monies paid by buyer for such parts, if found on examination by us to be nonconforming and if necessary return charges are prepaid.

If it is necessary to return any parts under this warranty, buyer agrees not to make any deduction on account thereof from remittances on current accounts while claims are in the process of disposition. Any expense incurred without our consent for repairs or replacement will not be allowed.

THIS WARRANTY IS EXPRESSLY IN LIEU OF ALL OTHER WARRANTIES OR CONDITIONS, EXPRESS, IMPLIED OR STATUTORY, INCLUDING ANY IMPLIED WARRANTY OF MERCHANTABILITY OR FITNESS FOR PARTICULAR PURPOSE. IN NO EVENT SHALL SELLER BE LIABLE FOR INCIDENTAL OR CONSEQUENTIAL DAMAGES OF ANY NATURE.

Only genuine Meritor replacement parts are covered by this aftermarket parts warranty.

DISCLAIMER

Information contained in this publication is in effect at the time the publication was approved for printing and is subject to change without notice or liability. Meritor, reserves the right to revise the information presented or discontinue the production of parts described at any time.

Manufacturers names, part numbers, symbols or other references appearing in this catalogue are used for reference for order of goods only. Images are also for reference only and not to scale.

TRADEMARK

The designated trademarks are registered marks of their respective owners and Meritor and its affiliates are not commercially connected, affiliated, or associated with any of the owners of such marks. The Meritor products presented herein are not endorsed or authorised by any of the trademark owners.

COPYRIGHT

All rights reserved. The Meritor or any part or layout of the catalogue cannot be printed or reproduced without written authorisation from Meritor.



Found an error?

If you detect any errors in this catalogue, please let us know. We want to ensure the information we publish is as accurate as possible. We appreciate your help in making this happen.

Please forward your enquiries to:

Email: cvaau.sales@meritor.com

Phone: (03) 8353 6050

TABLE OF CONTENTS

MERITOR® MT155 DRIVE AXLE

FRONT CARRIER A53200A2055

Exploded View	1, 3, 5
Parts List	2, 4, 6

THRU SHAFT & HOUSING ASSEMBLY

Exploded View	7
Parts List	8

REAR CARRIER A33200Z2054

Exploded View	9, 11
Parts List	10, 12

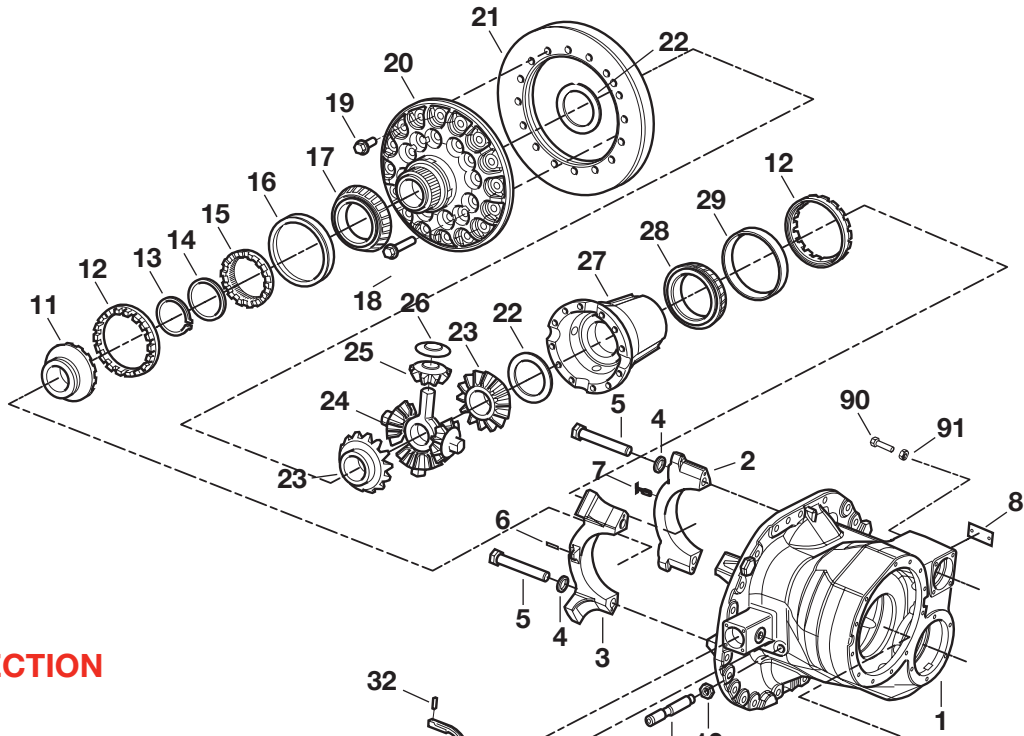
HOUSING ASSEMBLY

Exploded View	13
Parts List	14

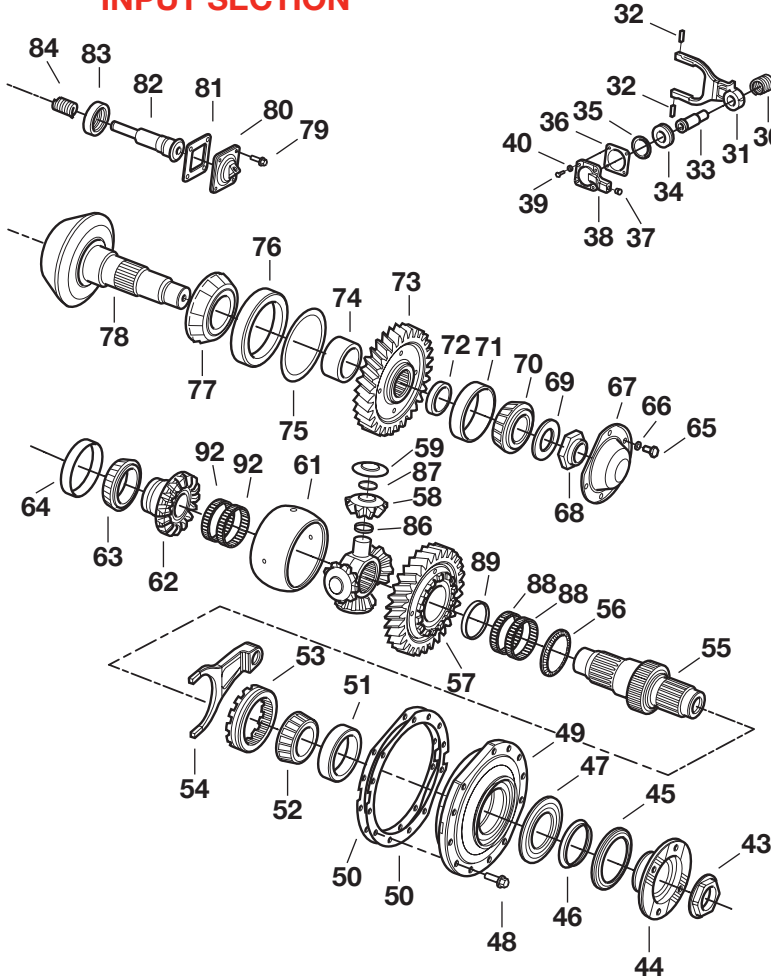
FRONT CARRIER A53200A2055

TYPICAL EXPLODED VIEW DISPLAYED BELOW TO HELP YOU CHOOSE THE CORRECT PART.

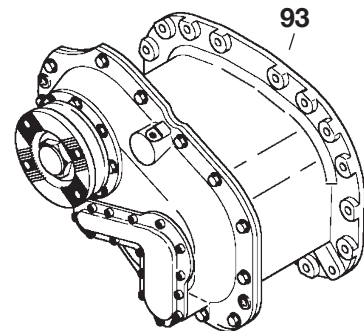
CARRIER SECTION



INPUT SECTION



COMPLETE ASSEMBLY



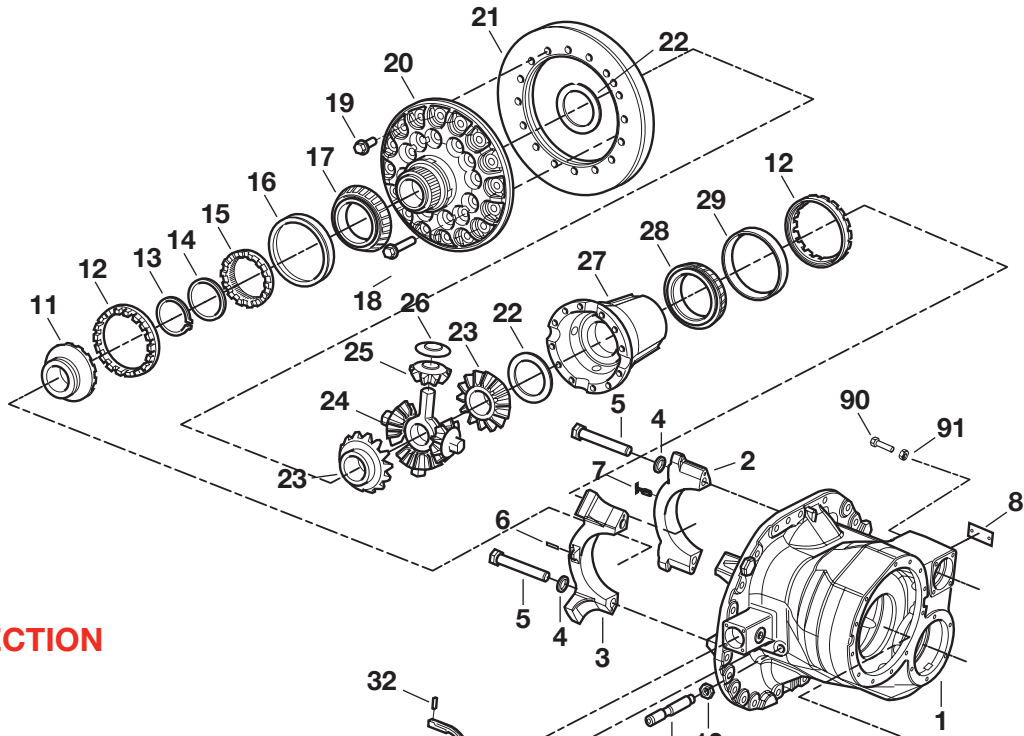
FRONT CARRIER A53200A2055

ITEM NO.	MERITOR PART NUMBER	DESCRIPTION	NO. PER UNIT
1,2,3	A23200A2055	Carrier & cap assembly	1
4	42X1024	Bearing cap washer	4
5	41X1018	Bearing cap capscrew	4
6	1246P1134	Spiral pin	1
7	43X1010	Cotter pin	1
8	-	ID tag - Not sold separately	-
9	41X1569	Thrust screw	1
10	40X1016	Thrust screw nut	1
11	3107P1056	Clutch collar	1
12	2214G279	Adjusting ring	2
13	945506	Retaining ring	1
14	1522102	Spacer	1
15	1522099	Fixed collar	1
16,17	A11228F1540.M	Differential bearing cup & cone RH	1
18	41X1108	Differential case capscrew	12
19	41X1104	Ring gear capscrew	16
20	3235J2428	Flange half case 2.43, 2.57, 2.83	1
20	3235L2430	Flange half case 3.09, 3.40, 3.78, 4.13, 4.50, 5.14	1
21,78	A42044	Ring gear 2.43	-
21,78	A42046	Ring gear 2.57	-
21,78	A42048	Ring gear 2.83	-
21,78	A42050	Ring gear 3.09	-
21,78	A42052	Ring gear 3.40	-
21,78	A42054	Ring gear 3.78	-
21,78	A42228	Ring gear 4.13	-
21,78	A42230	Ring gear 4.50	-
21,78	A42232	Ring gear 5.14	-
22	1229Z3016	Side gear thrust washer	2
23	2234P1108	Differential side gear	2
24	3278M1001	Differential spider	1
25	2233T1008	Differential pinion	4
26	1229A3017	Differential pinion thrust washer	4
27	3235G2425	Plain half differential case	1
28,29	A11228G1541.M	Differential bearing cup & cone LH	1
30	2258N1262	Shift shaft spring	1
31	3296E1305	Shift fork	1
32	43X1007	Shift fork pin	2
33	2244E1201	Shift shaft	1
34	2230D1018	Piston	1
35	5X888	Piston o-ring	1
36	2208Q1005	Cylinder cover gasket	1
37	-	Plug - Not sold separately	-
38	3266U1503	Cylinder end cover	1
39	41X1688	Cover capscrew	4
40	MWA506P	Cover capscrew washer	4

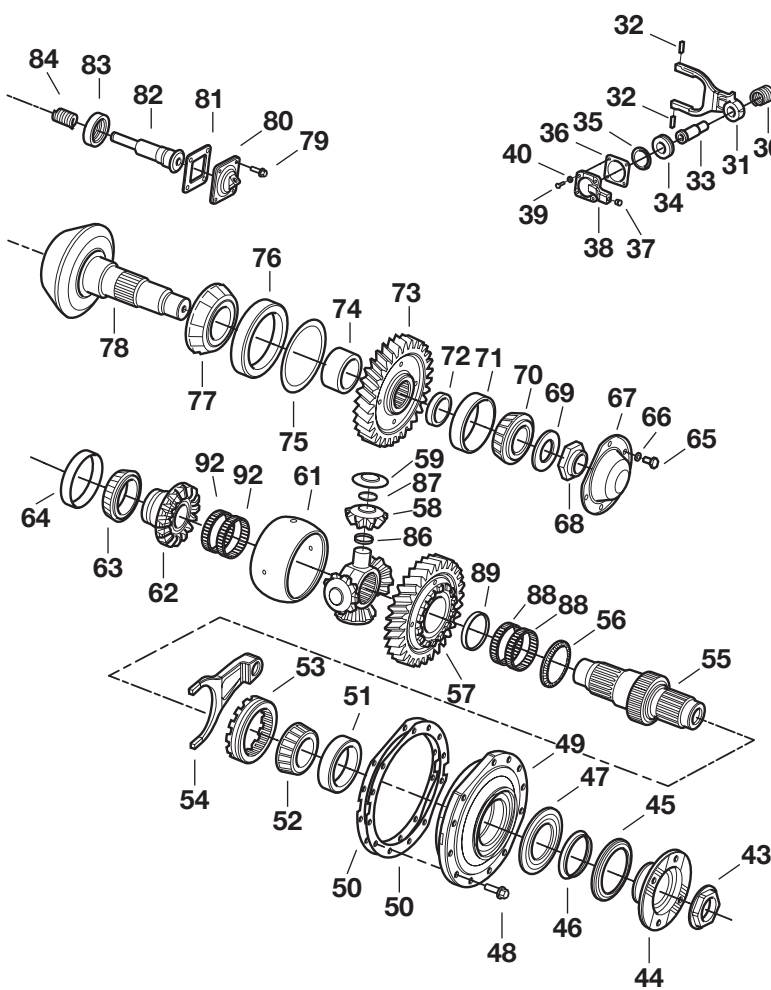
FRONT CARRIER A53200A2055

TYPICAL EXPLODED VIEW DISPLAYED BELOW TO HELP YOU CHOOSE THE CORRECT PART.

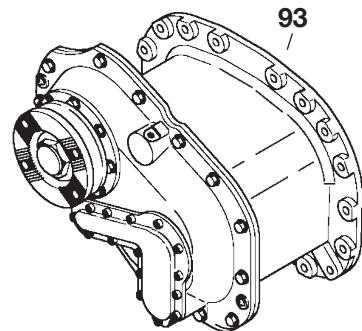
CARRIER SECTION



INPUT SECTION



COMPLETE ASSEMBLY



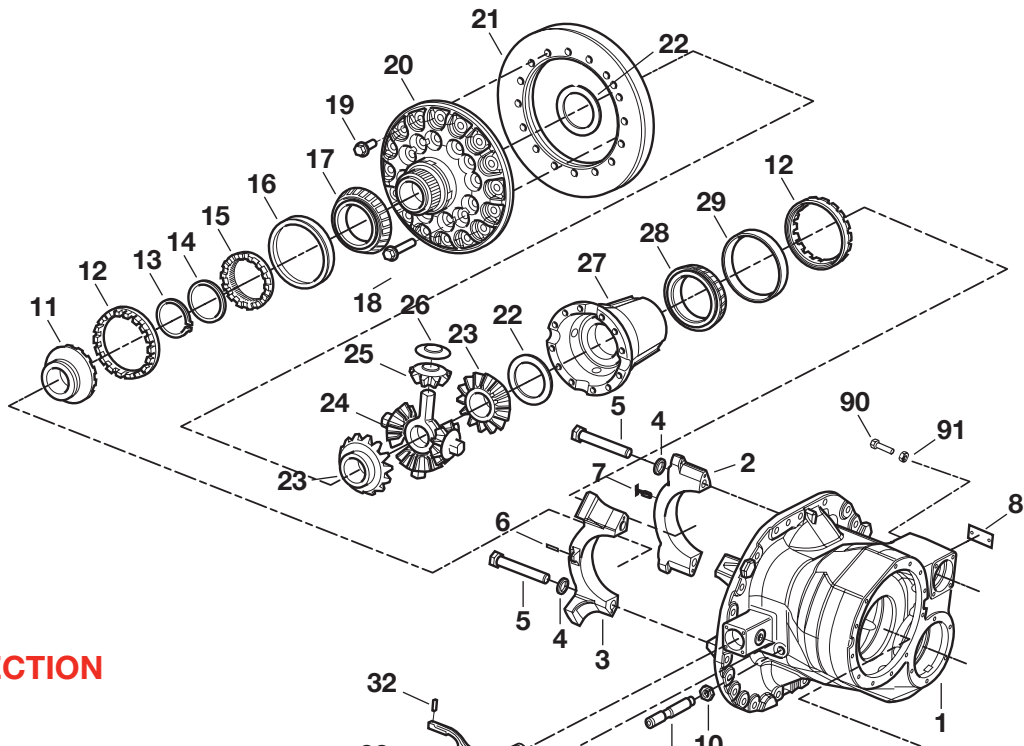
FRONT CARRIER A53200A2055

ITEM NO.	MERITOR PART NUMBER	DESCRIPTION	NO. PER UNIT
41	190734	Sensor switch lock nut	1
42	2237Q1317	Sensor switch	1
43	8171338	Lock nut	1
44	3260W2025	Companion flange	1
45	3264M1495	Shield	1
46, 47	A11205L2794	V-ring oil seal	1
48	965192	Input cage capscrew	12
49	3226P1628	Input bearing cage	1
50	1069122	Shim 0.25"	As required
50	1524895	Shim 0.30"	As required
50	1524896	Shim 0.35"	As required
50	1524897	Shim 0.40"	As required
50	1524898	Shim 0.45"	As required
50	1524900	Shim 0.55"	As required
51,52	1524058	Input bearing cup & cone	1
53	3107C1251	Inter-axle differential clutch collar	1
54	3296R1318	Inter-axle differential shift fork	1
55	3297C1485	Input shaft	1
56	1524879	Helical drive gear thrust needle bearing	1
57	3892W5743	Helical drive gear	1
58	1524886	Inter-axle differential pinion	4
59	1524887	Differential pinion thrust washer	4
60	1524883	Inter-axle differential spider	1
61	1524888	Inter-axle differential carrier	1
62	1524889	Inter-axle differential side gear	1
63,64	1524061	Rear side gear bearing cup & cone	1
65	MS2100201	Pinion cover capscrew	5
66	MWA510	Pinion cover capscrew washer	5
67	3266C1095	Pinion cover	1
68	40X1145	Pinion nut	1
69	1229G4063	Pinion nut washer	1
70	1228T1502	Outer pinion bearing cone	1
71	1228R1500	Outer pinion bearing cup	1
72	E-880.M	Spacer sleeve	1
73	1524953	Helical driven gear	1
74	1244P2330	Spacer sleeve	1
75	2803K3417	Shim 0.50"	As required
75	2803E3203	Shim 0.076"	As required
75	2803F3204	Shim 0.127"	As required
75	2803G3205	Shim 0.254"	As required
76	1228E1513	Inner pinion bearing cup	1
77	1228F1514	Inner pinion bearing cone	1
78	-	Pinion (not sold separately - refer item 21)	-
79	945444	Cover capscrew	4

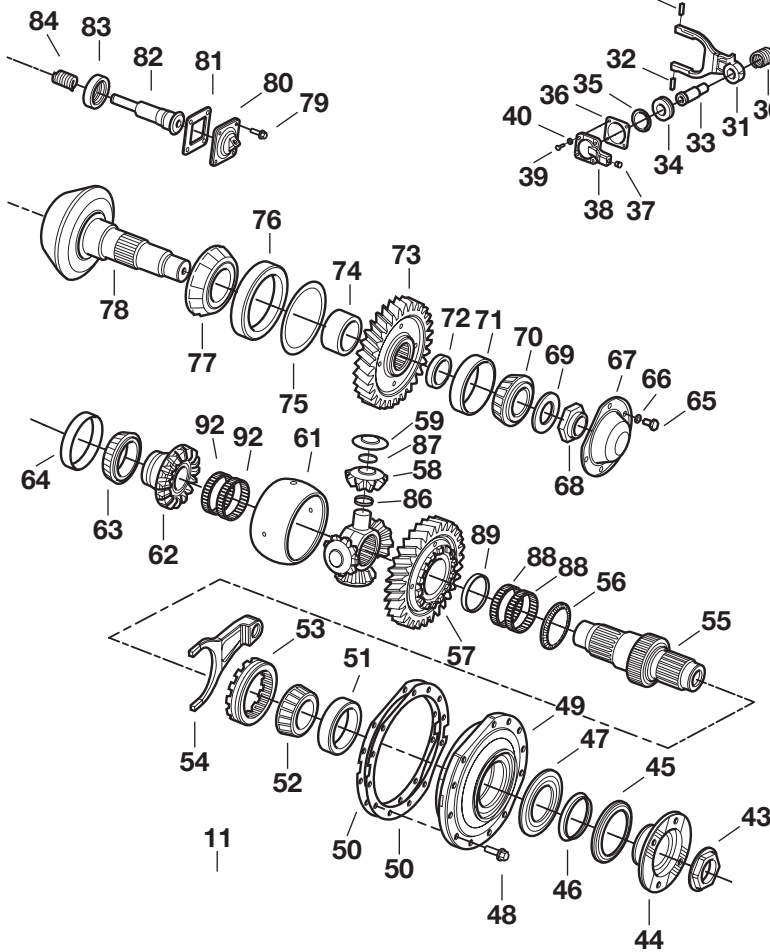
FRONT CARRIER A53200A2055

TYPICAL EXPLODED VIEW DISPLAYED BELOW TO HELP YOU CHOOSE THE CORRECT PART.

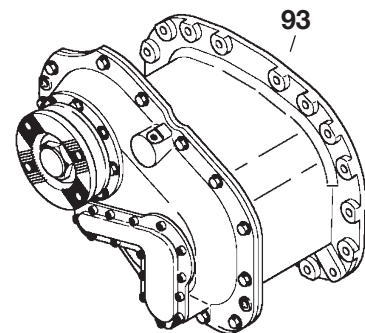
CARRIER SECTION



INPUT SECTION



COMPLETE ASSEMBLY



FRONT CARRIER A53200A2055

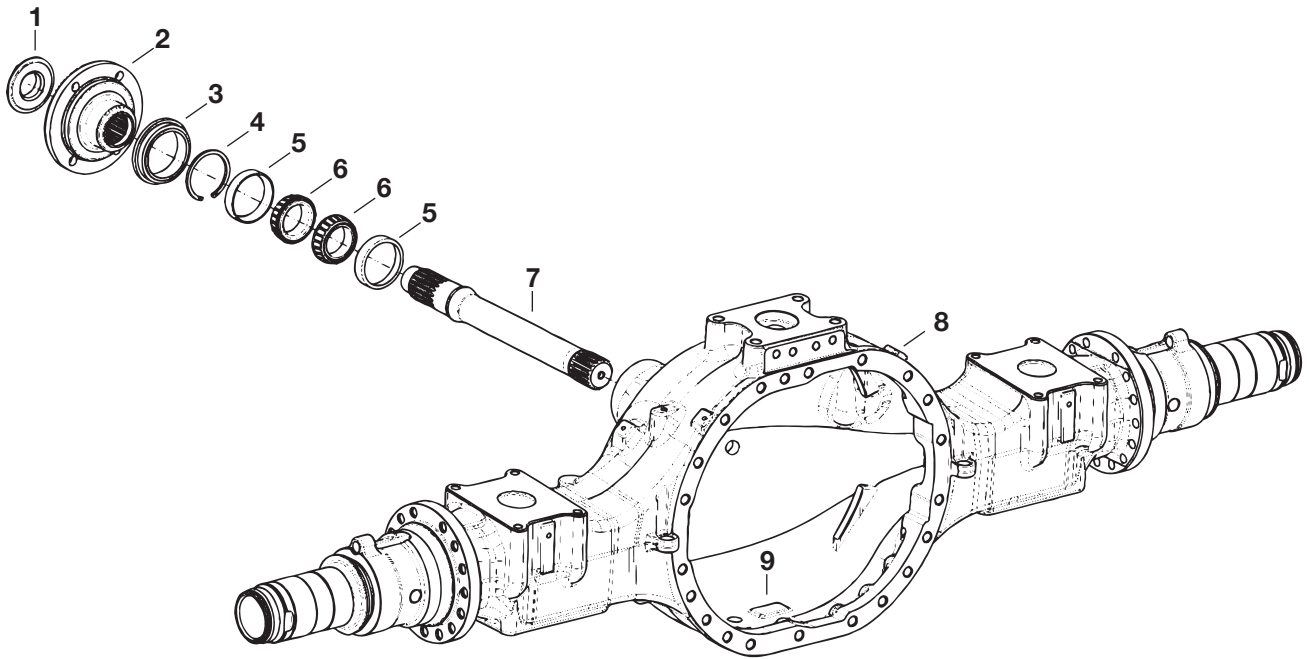
ITEM NO.	MERITOR PART NUMBER	DESCRIPTION	NO. PER UNIT
80	3266V1504	Inter-axle differential lock cover	1
81	2297A8477	Inter-axle differential lock diaphragm	1
82	2244K1207	Inter-axle differential lock piston	1
83	3261T1086	Diaphragm seat	1
84	1524891	Inter-axle differential lock spring	1
85	1524884	Needle bearing plate	4
86	1522345	Needle bearings	184
87	1524885	Needle bearing retainer ring	4
88	1524881	Caged needle bearing assembly	2
89	1524882	Spacer	1
90	41X1585	Capscrew	1
91	MN3121	Nut	1
92	181632	Caged needle bearing assembly	2
93	A53200A2055 (RATIO)	Carrier assembly complete	1
-	KITAU2370F	Bearing & seal kit	1

KITAU2370F BEARING & SEAL KIT

ITEM NO.	MERITOR PART NUMBER	DESCRIPTION	NO. PER UNIT
16,17	A11228F1540.M	Differential bearing cup & cone RH	1
28,29	A11228G1541.M	Differential bearing cup & cone LH	1
77	1228F1514	Inner pinion bearing cone	1
46	3192514	V-ring seal	1
47	3192615	Seal - oil	1
51,52	1524058	Input bearing cup & cone	1
56	1524879	Helical drive gear thrust needle bearing	1
70	1228T1502	Outer pinion bearing cone	1
71	1228R1500	Outer pinion bearing cup	1
76	1228E1513	Inner pinion bearing cup	1
86	1522345	Needle bearings	184
88	1524881	Caged needle bearing assembly	2
3	A11205Y2729	Output oil seal	1
5	LM104949	Output bearing cone	2
6	JLM104910	Output bearing cup	2
92	181632	Caged Needle Bearing Assembly	2
63,64	1524061	Rear Side Gear Bearing Cup & Cone	1

THRU SHAFT & HOUSING ASSEMBLY

TYPICAL EXPLODED VIEW DISPLAYED BELOW
TO HELP YOU CHOOSE THE CORRECT PART.



THRU SHAFT & HOUSING ASSEMBLY

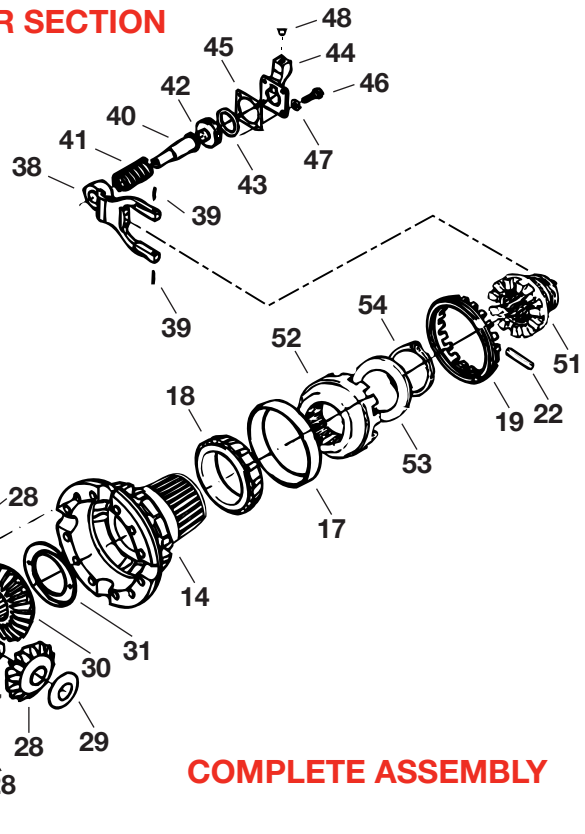
ITEM NO.	MERITOR PART NUMBER	DESCRIPTION	NO. PER UNIT
1	1673393	Nut - companion flange	1
2	3260E1851	Companion flange	1
3	A11205Y2729	Output oil seal	1
4	KIT576	Snap ring spacer	1
5	LM104949	Output bearing cone	2
6	JLM104910	Output bearing cup	2
7	3297G1463	Thru shaft output	1
8	Refer BOM	Axle housing	1
9	2297K6771	Magnet	1
10	3206C2031	Axle shaft RH	1
11	3206E2033	Axle shaft LH	1
N/S	45X1008	Drain plug magnetic	1
N/S	45X1003	Plug filler	1

N/S = Not Shown

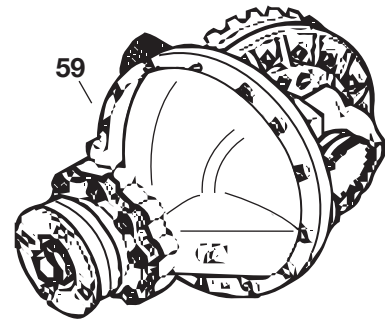
REAR CARRIER A33200Z2054

TYPICAL EXPLODED VIEW DISPLAYED BELOW TO HELP YOU CHOOSE THE CORRECT PART.

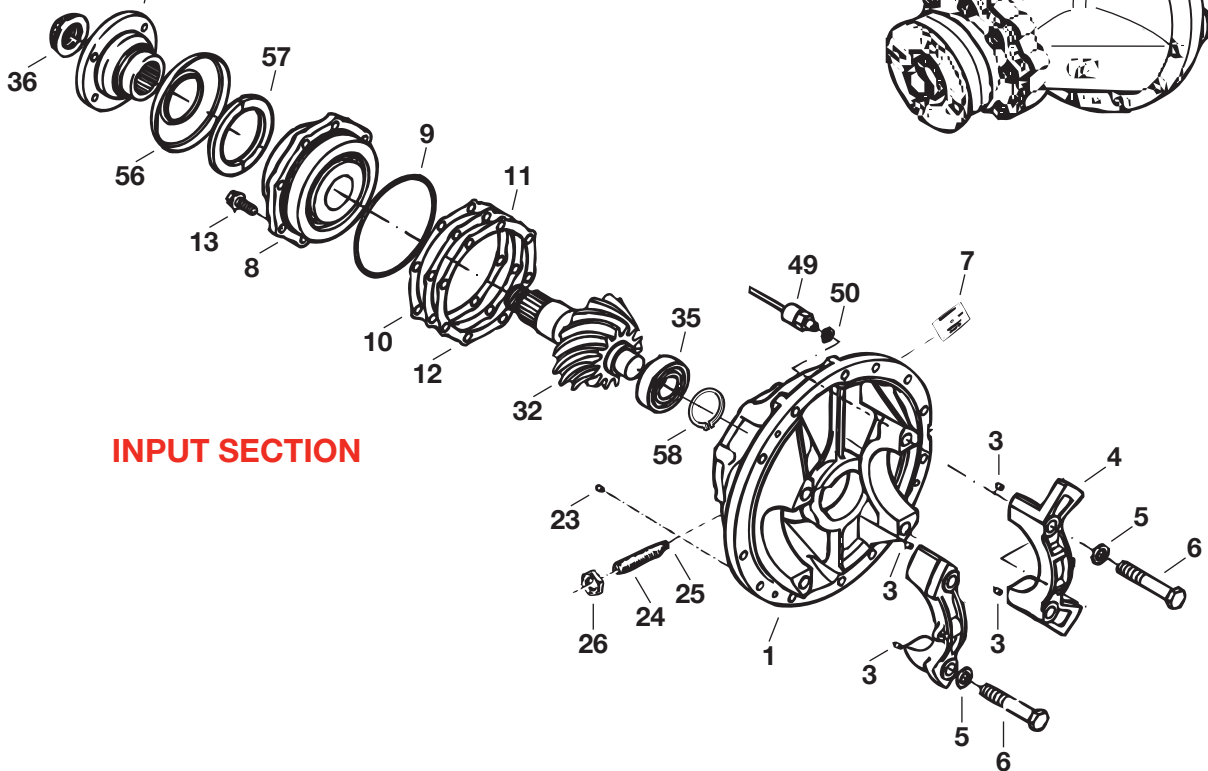
CARRIER SECTION



COMPLETE ASSEMBLY



INPUT SECTION



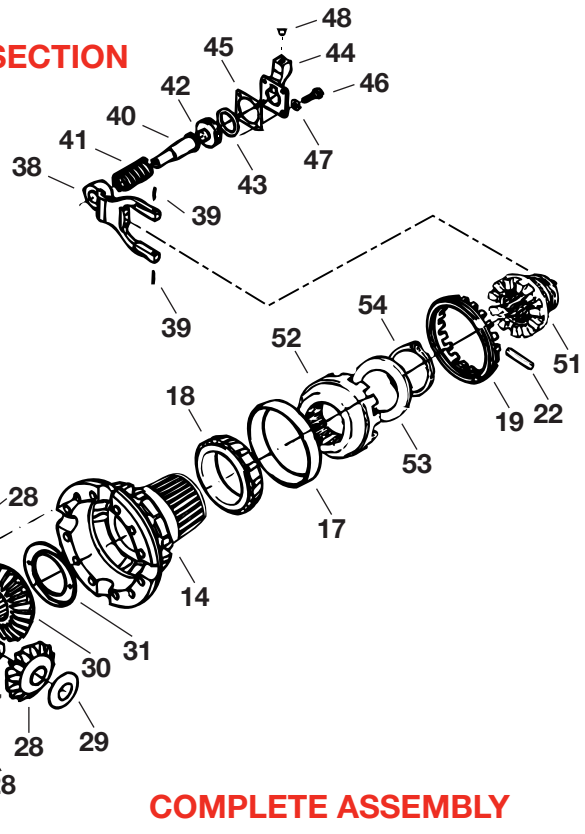
REAR CARRIER A33200Z2054

ITEM NO.	MERITOR PART NUMBER	DESCRIPTION	NO. PER UNIT
1,2,3,4	A23200Z2054	Carrier & cap assembly	1
5	42X1024	Bearing cap washer	4
6	41X1018	Bearing cap capscrew	4
8	-	ID tag - Not sold separately	-
8	A3226H1412	Pinion bearing cage (pinion-pac)	1
9	5X1289	O-ring (pinion cage)	1
10	2803J3130	Pinion cage shim 0.125"	As required
11	2803K3131	Pinion cage shim 0.200"	As required
12	2803L3132	Pinion cage shim 0.500"	As required
13	41X1422	Pinion cage capscrew	8
14	3235N2432	Plain half differential case	1
15,16	A11228F1540.M	Differential bearing cup & cone LH	1
17,18	A11228G1541.M	Differential bearing cup & cone RH	1
19	2214S279	Adjusting ring	2
20	41X1108	Differential case screw	12
21	43X1010	Cotter pin	1
22	1246P1134	Spiral pin	1
23	-	Plug (shipping only)	-
24	41X1371	Thrust screw	1
26	40X1016	Thrust screw nut	1
27	3278M1001	Differential spider	1
28	2233T1008	Differential pinion	4
29	1229A3017	Differential pinion thrust washer	4
30	2234P1108	Differential side gear	2
31	1229Z3016	Side gear thrust washer	2
32,33	A42056	Ring gear 2.43	-
32,33	A42058	Ring gear 2.57	-
32,33	A42060	Ring gear 2.83	-
32,33	A42042	Ring gear 3.09	-
32,33	A42062	Ring gear 3.40	-
32,33	A42064	Ring gear 3.78	-
32,33	A42150	Ring gear 4.13	-
32,33	A42152	Ring gear 4.50	-
32,33	A42154	Ring gear 5.14	-
34	3235Q2435	Flange half case 2.43, 2.57, 2.83	-
35	3235S2437	Flange half case 3.09, 3.40, 3.78, 4.13, 4.50, 5.14	-
35	1228B1042	Pinion spigot bearing	1
36	KIT2638	Drive pinion nut	1
37	41X1104	Drive gear screw	16
38	3296G1307	Shift fork	1
39	43X1007	Shift fork pin	2
40	2244E1201	Shift shaft	1
41	2258N1262	Shift shaft spring	1
42	2230D1018	Piston	1
43	5X888	Piston o-ring	1

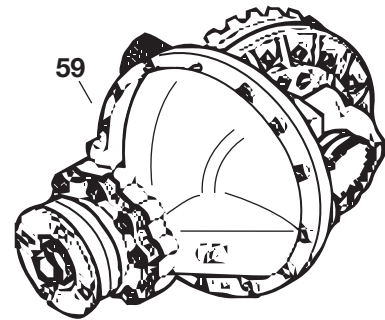
REAR CARRIER A33200Z2054

TYPICAL EXPLODED VIEW DISPLAYED BELOW TO HELP YOU CHOOSE THE CORRECT PART.

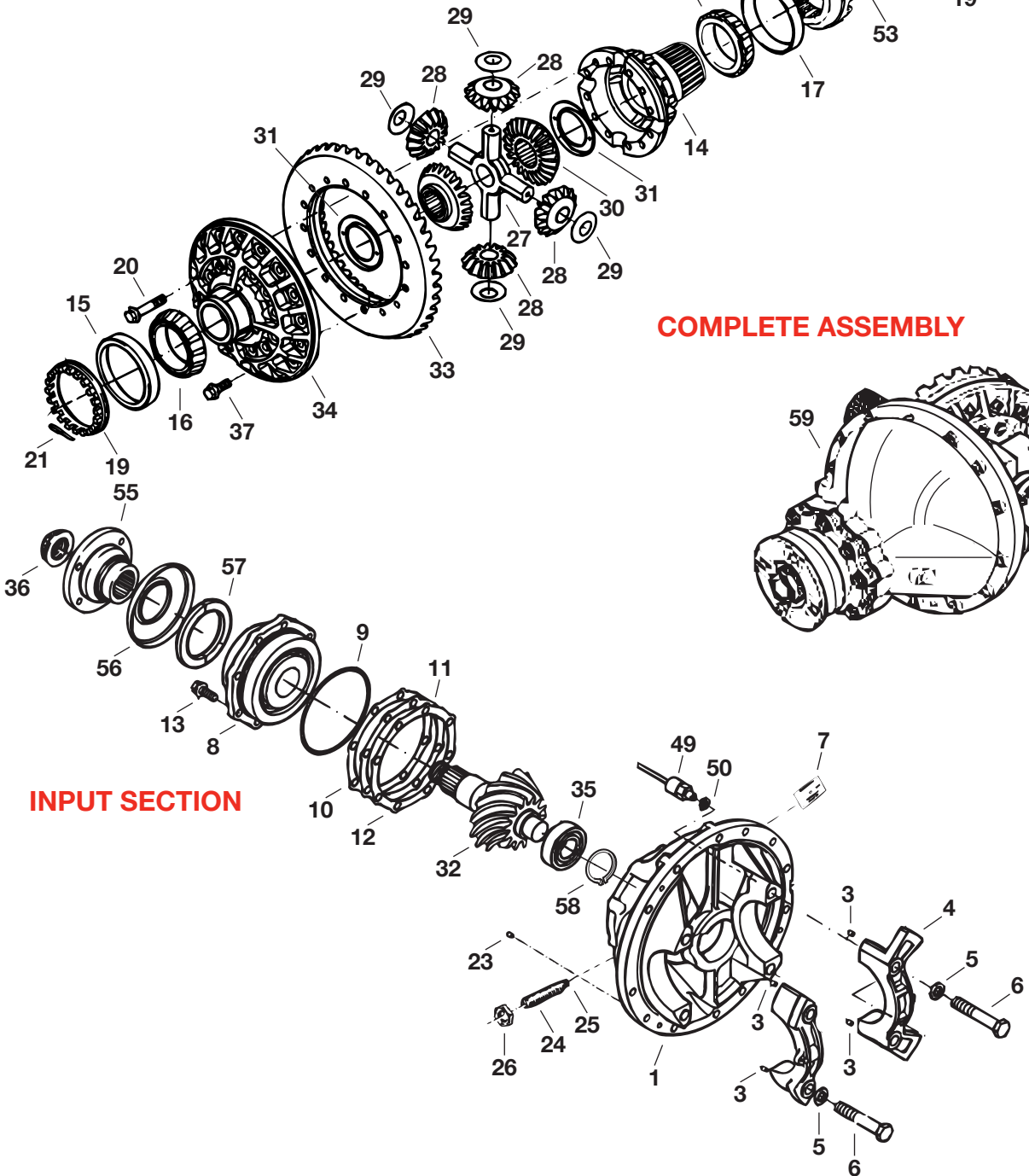
CARRIER SECTION



COMPLETE ASSEMBLY



INPUT SECTION



REAR CARRIER A33200Z2054

ITEM NO.	MERITOR PART NUMBER	DESCRIPTION	NO. PER UNIT
44	3266U1503	Cylinder end cover	1
45	2208Q1005	Cylinder cover gasket	1
46	41X1688	Cover capscrew	4
47	MWA506P	Cover capscrew washer	4
48	-	Plug (shipping only)	1
49	2237Q1317	Sensor switch	1
50	190734	Lock nut-sensor switch	1
51	1522099	Clutch collar	1
52	3107P1056	Fixed collar	1
53	1522102	Spacer	1
54	945506	Retaining ring	1
55	3260P1836	Companion flange	1
56	3264M1469	Deflector	1
57	A1205E1955S	Pinion pac-seal	1
58	46X1029	Snap ring	1
59	A33200Z2054 (RATIO)	Rear carrier assembly complete	1
-	KITAU2370R	Bearing & seal kit	1

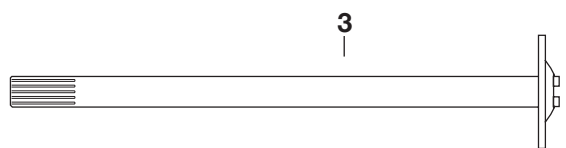
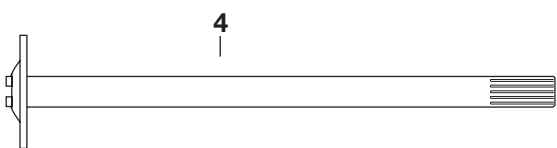
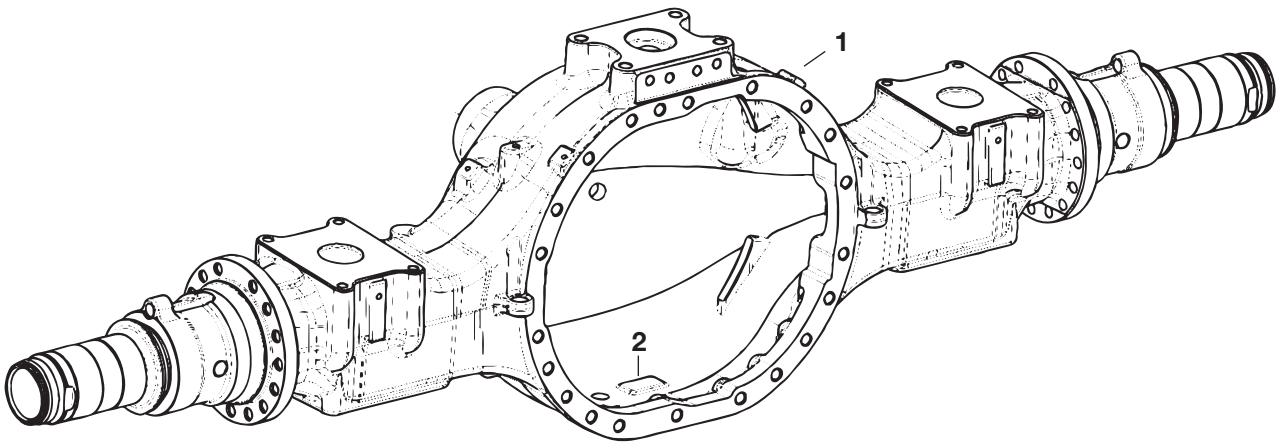
KITAU2370R BEARING & SEAL KIT

ITEM NO.	MERITOR PART NUMBER	DESCRIPTION	NO. PER UNIT
9	5X1289	O-ring (pinion cage)	1
15,16	A11228G1541.M	Differential bearing cup & cone LH	1
17,18	A11228F1540.M	Differential bearing cup & cone RH	1
35	1228B1042	Pinion spigot bearing	1
57	A1205E1955S	Pinion pac-seal	1

Refer to Maintenance Manual MM-0208 for further information

HOUSING ASSEMBLY

TYPICAL EXPLODED VIEW DISPLAYED BELOW
TO HELP YOU CHOOSE THE CORRECT PART.



HOUSING ASSEMBLY

ITEM NO.	MERITOR PART NUMBER	DESCRIPTION	NO. PER UNIT
1	-	Housing assy - refer BOM	1
2	2297K6771	Magnet	1
3	3206G2034	Axle shaft RH	1
4	3206D1434	Axle shaft LH	1
N/S	45X1008	Drain plug magnetic	1
N/S	45X1003	Plug filler	1

N/S = Not Shown

NOTES



A series of horizontal dotted lines spanning the width of the page, providing a template for handwritten notes.

NOTES



A series of horizontal dotted lines spanning the width of the page, providing a template for handwritten notes.



Meritor Heavy Vehicle Systems Australia
50 Calarco Drive
Derrimut, VIC 3026
AUSTRALIA

(03) 8353 6050

meritorpartsexpress.com

CMPB005 - MT155 DRIVE AXLE
PARTS BOOK 01/24
Produced in AUS 01/24
©2024 Cummins Inc.